

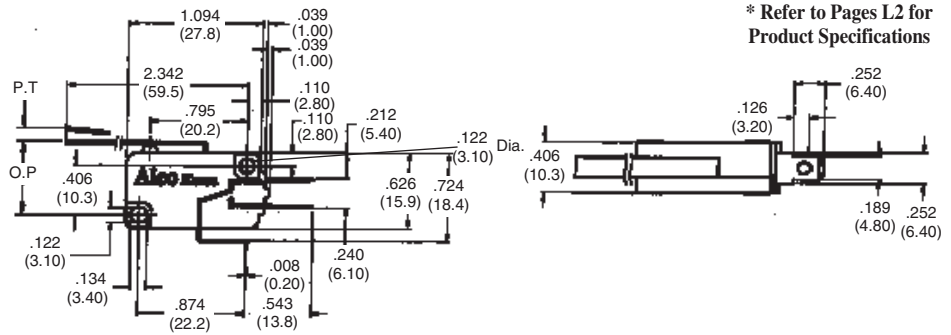
Miniature Long Lever

Spade/Solder Type Terminal



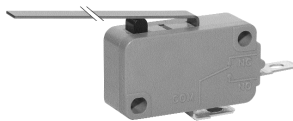
Product Facts

- n .187 [4.75] tab with solder holes
- n Use .187 [4.75] FASTON receptacles or solder wire directly to terminal
- n Long lever to increase travel and reduce operating force



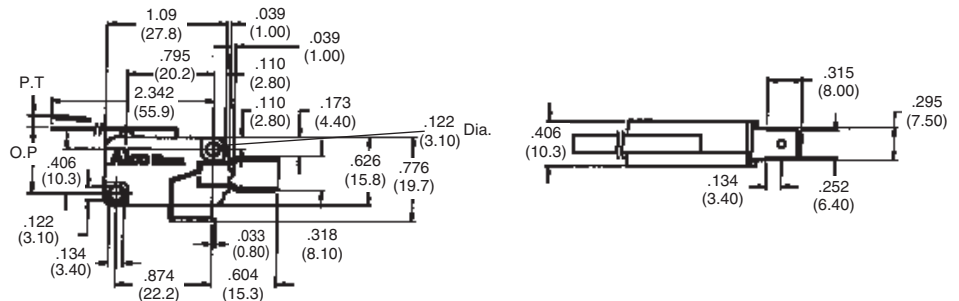
AMP	Switch Position	Operating Force	Releasing Force	Pre Travel (P.T.)	Operating Position	Over Travel	Movement Differential	Part Number
	SPDT	30g	5g	7.5 m/m [.295]	15.4 ±3.0 [.606±.118]	2.6 m/m [.102]	2.4 m/m [.094]	1478603-4
		60g	10g					1478604-4
		90g	15g					1478605-4
16	SPNC	30g	5g	7.5 m/m [.295]	15.4 ±3.0 [.606±.118]	2.6 m/m [.102]	2.4 m/m [.094]	1478609-4
		60g	10g					1478610-4
		90g	15g					1478611-4
	SPNO	30g	5g	7.5 m/m [.295]	15.4 ±3.0 [.606±.118]	2.6 m/m [.102]	2.4 m/m [.094]	1478615-4
		60g	10g					1478616-4
		90g	15g					1478617-4
5	SPDT	30g	5g	7.5 m/m [.295]	15.4 ±3.0 [.606±.118]	2.6 m/m [.102]	2.4 m/m [.094]	1478667-4
	SPNC							1478668-4
	SPNO							1478669-4
0.1	SPDT	15g	3g	7.5 m/m [.295]	15.4 ±3.0 [.606±.118]	2.6 m/m [.102]	2.4 m/m [.094]	1478670-4
	SPNC							1478671-4
	SPNO							1478672-4

Spade Type Terminal



Product Facts

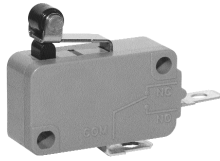
- n .250 [6.35] tab for use with .250 [6.35] FASTON receptacles
- n Long lever to increase travel and reduce operating force



AMP	Switch Position	Operating Force	Releasing Force	Pre Travel (P.T.)	Operating Position	Over Travel	Movement Differential	Part Number
	SPDT	30g	5g	7.5 m/m [.295]	15.4 ±3.0 [.606±.118]	2.6 m/m [.102]	2.4 m/m [.094]	1478606-4
		60g	10g					1478607-4
		90g	15g					1478608-4
16	SPNC	30g	5g	7.5 m/m [.295]	15.4 ±3.0 [.606±.118]	2.6 m/m [.102]	2.4 m/m [.094]	1478612-4
		60g	10g					1478613-4
		90g	15g					1478614-4
	SPNO	30g	5g	7.5 m/m [.295]	15.4 ±3.0 [.606±.118]	2.6 m/m [.102]	2.4 m/m [.094]	1478618-4
		60g	10g					1478619-4
		90g	15g					1478620-4

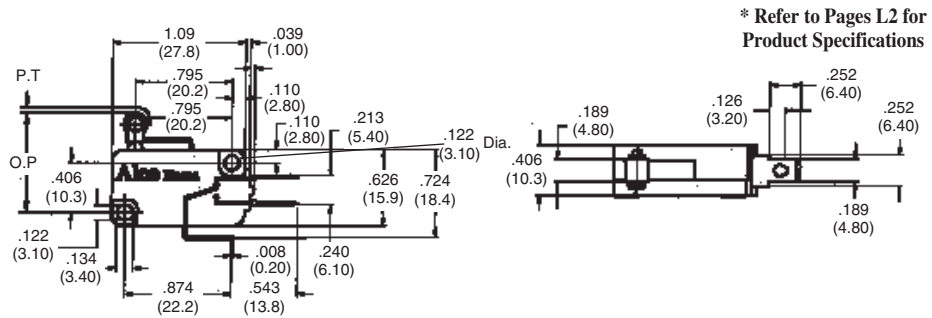
Miniature Short Roller

Spade/Solder Type Terminal



Product Facts

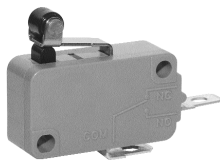
- n .187 [4.75] tab with solder holes
- n Use .187 [4.75] FASTON receptacles or solder wire directly to terminal
- n Short roller to increase operating force and position



* Refer to Pages L2 for Product Specifications

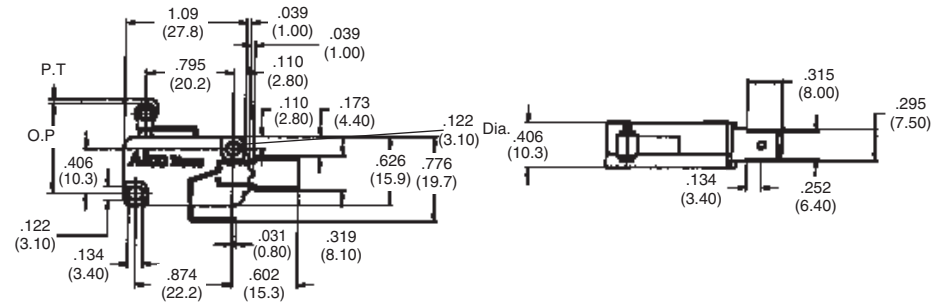
AMP	Switch Position	Operating Force	Releasing Force	Pre Travel (P.T.)	Operating Position	Over Travel	Movement Differential	Part Number
16	SPDT	140g	20g	1.6 m/m [.063]	20.7 ±0.8 [.815±.003]	0.8 m/m [.031]	0.4 m/m [.016]	1478603-5
		240g	50g					1478604-5
		350g	70g					1478605-5
	SPNC	140g	20g	1.6 m/m [.063]	20.7 ±0.8 [.815±.003]	0.8 m/m [.031]	0.4 m/m [.016]	1478609-5
		240g	50g					1478610-5
		350g	70g					1478611-5
SPNO	140g	20g	1.6 m/m [.063]	20.7 ±0.8 [.815±.003]	0.8 m/m [.031]	0.4 m/m [.016]	1478615-5	
	240g	50g					1478616-5	
	350g	70g					1478617-5	
5	SPDT	140g	20g	1.6 m/m [.063]	20.7 ±0.8 [.815±.003]	0.8 m/m [.031]	0.4 m/m [.016]	1478667-5
	SPNC							1478668-5
	SPNO							1478669-5
0.1	SPDT	60g	12g	1.6 m/m [.063]	20.7 ±0.8 [.815±.003]	0.8 m/m [.031]	0.4 m/m [.016]	1478670-5
	SPNC							1478671-5
	SPNO							1478672-5

Spade Type Terminal



Product Facts

- n .250 [6.35] tab for use with .250 [6.35] FASTON receptacles
- n Short roller to increase operating force and position



AMP	Switch Position	Operating Force	Releasing Force	Pre Travel (P.T.)	Operating Position	Over Travel	Movement Differential	Part Number
16	SPDT	140g	20g	1.6 m/m [.063]	20.7 ±0.8 [.815±.003]	0.8 m/m [.031]	0.4 m/m [.016]	1478606-5
		240g	50g					1478607-5
		350g	70g					1478608-5
	SPNC	140g	20g	1.6 m/m [.063]	20.7 ±0.8 [.815±.003]	0.8 m/m [.031]	0.4 m/m [.016]	1478612-5
		240g	50g					1478613-5
		350g	70g					1478614-5
SPNO	140g	20g	1.6 m/m [.063]	20.7 ±0.8 [.815±.003]	0.8 m/m [.031]	0.4 m/m [.016]	1478618-5	
	240g	50g					1478619-5	
	350g	70g					1478620-5	

Miniature Short Roller